

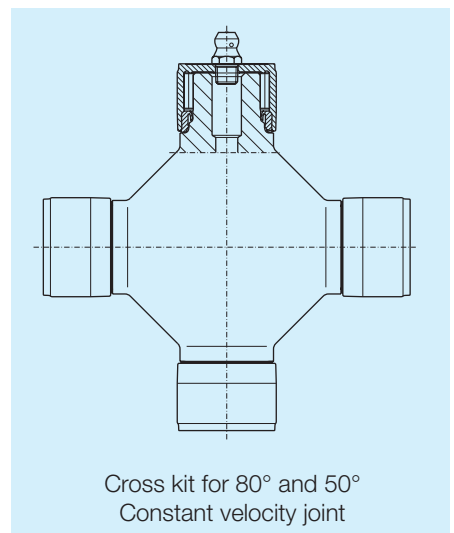
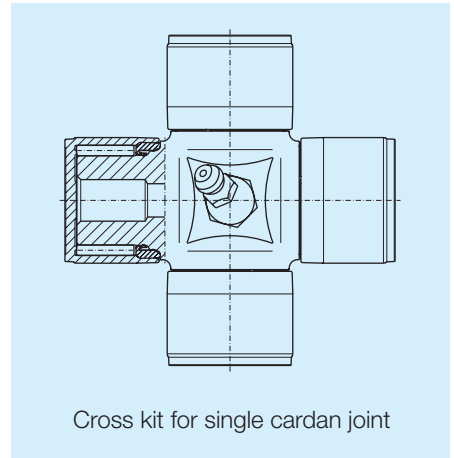
Agricultural machines are often employed in harsh working environments – dust and moisture can shorten a driveline's life span. Sealing elements of the cross kits are very important: they retain lubricants, protect the lubricants from contamination by foreign substances, and allow excess grease to purge without damage.

Bondioli & Pavesi cross kits for single cardan joint and 80° and 50° Constant velocity joints are equipped with double-lip seals designed to prevent contamination of the lubricant in the severe working conditions typical of farming applications.

Trials carried out on specially designed test fixtures provided data for optimizing the shape, materials, and the required heat treatment for all components – needles, caps, seals, and crosses.

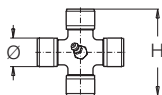
Proper design and manufacturing allow to lubricate at extended intervals of 50 working hours, for most applications.

Lubrication can be done on a weekly basis instead of every day, reducing one of the most burdensome maintenance requirements.



Cross kits

Cross kits for single cardan joints

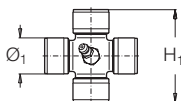


The codes below refer to the cross kit as a spare part – complete with the four snap rings required for assembly. They are supplied in single-item or multiple-item packs. The pack quantity is indicated by the numbers following the “R” in the code.

	Ø mm	H mm	Cross kit code	Multiple-item pack code	
1	22.0	54.0	4120B0011	4120B0011R50	Lubrication: 50 hours. Suitable for products manufactured since 2005.
2	23.8	61.3	4120C0011	4120C0011R30	
43	27.0	74.6	4120E0011	4120E0011R25	
4	27.0	74.6	4120E0011	4120E0011R25	
5	30.2	79.4	4120G0011	4120G0011R40	
6	30.2	91.4	4120H0011	4120H0011R30	
7	35.0	93.5	4120L0011	4120L0011R24	
8	35.0	106.0	4120M0011	4120M0011R20	

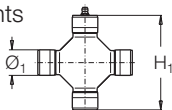
Cross kits for constant velocity joints

70° Constant velocity joint
Type 652 - 662 - 672



	Ø ₁ mm	H ₁ mm	Cross kit code	Multiple-item pack code	
2	23.8	61.3	41202	41202R30	Lubrication: 8 hours.

80° and 50° constant velocity joints



	Ø ₁ mm	H ₁ mm	Cross kit code	Multiple-item pack code	
4	22.0	86.0	4120E0051	4120E0051R40	Lubrication: 50 hours. Suitable for CV joints manufactured since 2005.
6	27.0	100.0	4120G0051	4120G0051R30	
8	30.2	106.0	4120L0051	4120L0051R20	